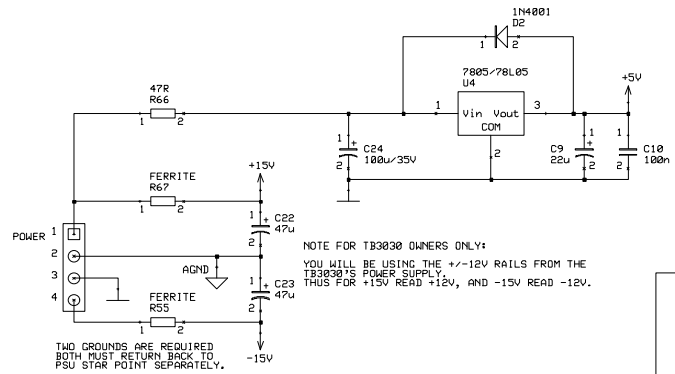


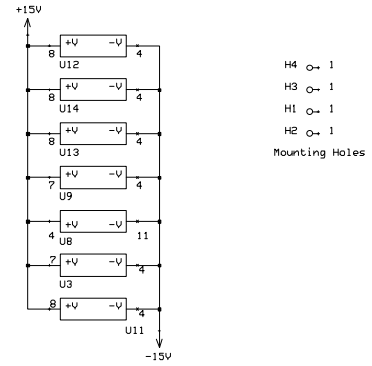
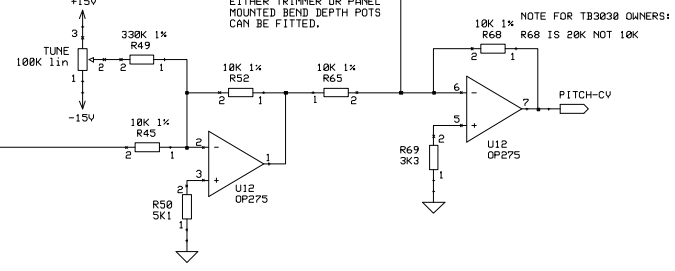
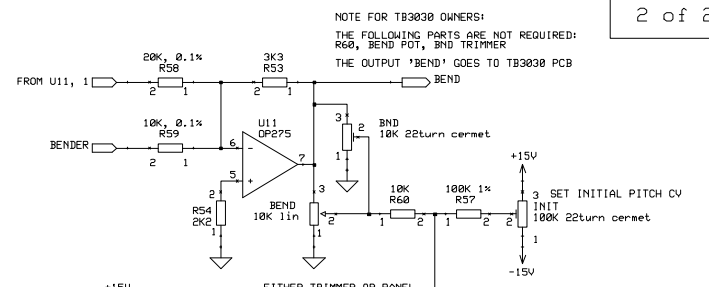
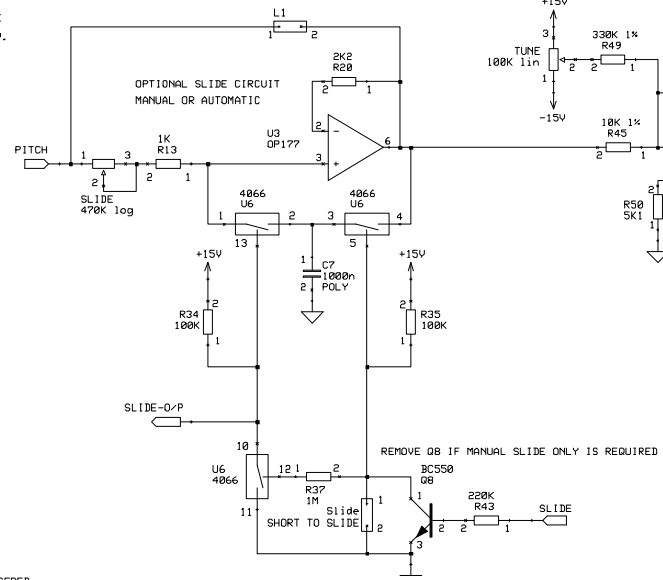
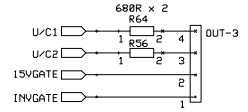
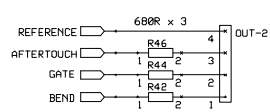
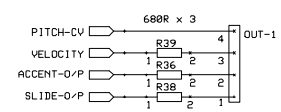
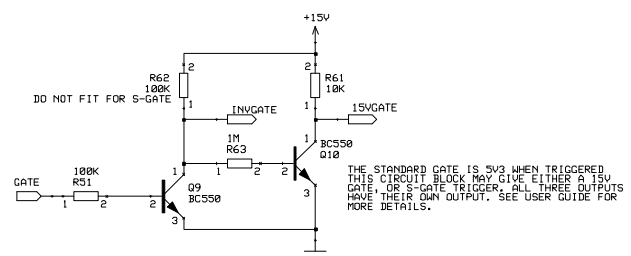
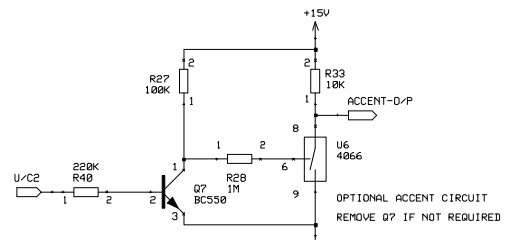
NOTE FOR TB3030 OWNERS ONLY:
 DO NOT FIT U10, YOU WILL BE USING THE
 SV3 RAIL FROM THE TB3030 PCB.
 SET V/OCT TO MAKE PIN 19 OF THE
 DAC TO EXACTLY -5.33V

THIS DRAWING IS THE COPYRIGHT
 OF OAKLEY SOUND SYSTEMS.
 UNAUTHORISED DUPLICATION IS FORBIDDEN.
 OAKLEY SOUND SYSTEMS
 PENRITH, UK
 e-mail: oakley@techrepairs.freereserve.co.uk

midiDAC	
Oakley Sound Systems	
Dwg. Iss 1.2	Nov 1999



NOTE FOR TB3030 OWNERS:
THE FOLLOWING PARTS ARE NOT REQUIRED:
U3, C7, SLIDE POT, R13, R20.
FIT LINK L1



THIS DRAWING IS THE COPYRIGHT OF OAKLEY SOUND SYSTEMS. UNAUTHORISED DUPLICATION IS FORBIDDEN.
OAKLEY SOUND SYSTEMS PENRITH, UK
e-mail: oakley@techrepairs.freereserve.co.uk

mididAC
Oakley Sound Systems
Dwg. Iss 1.2 Nov 1999