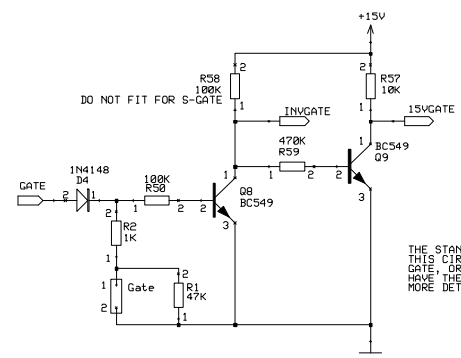
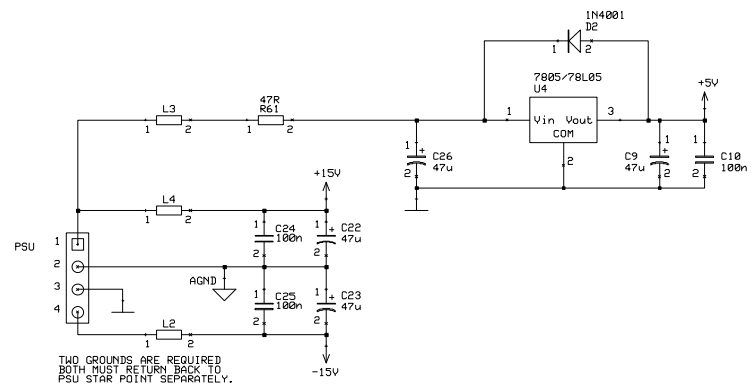
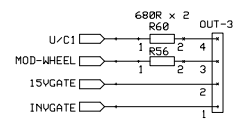
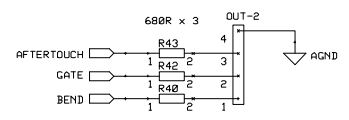
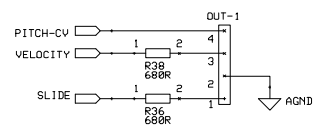
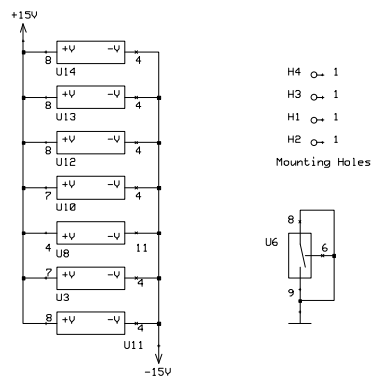
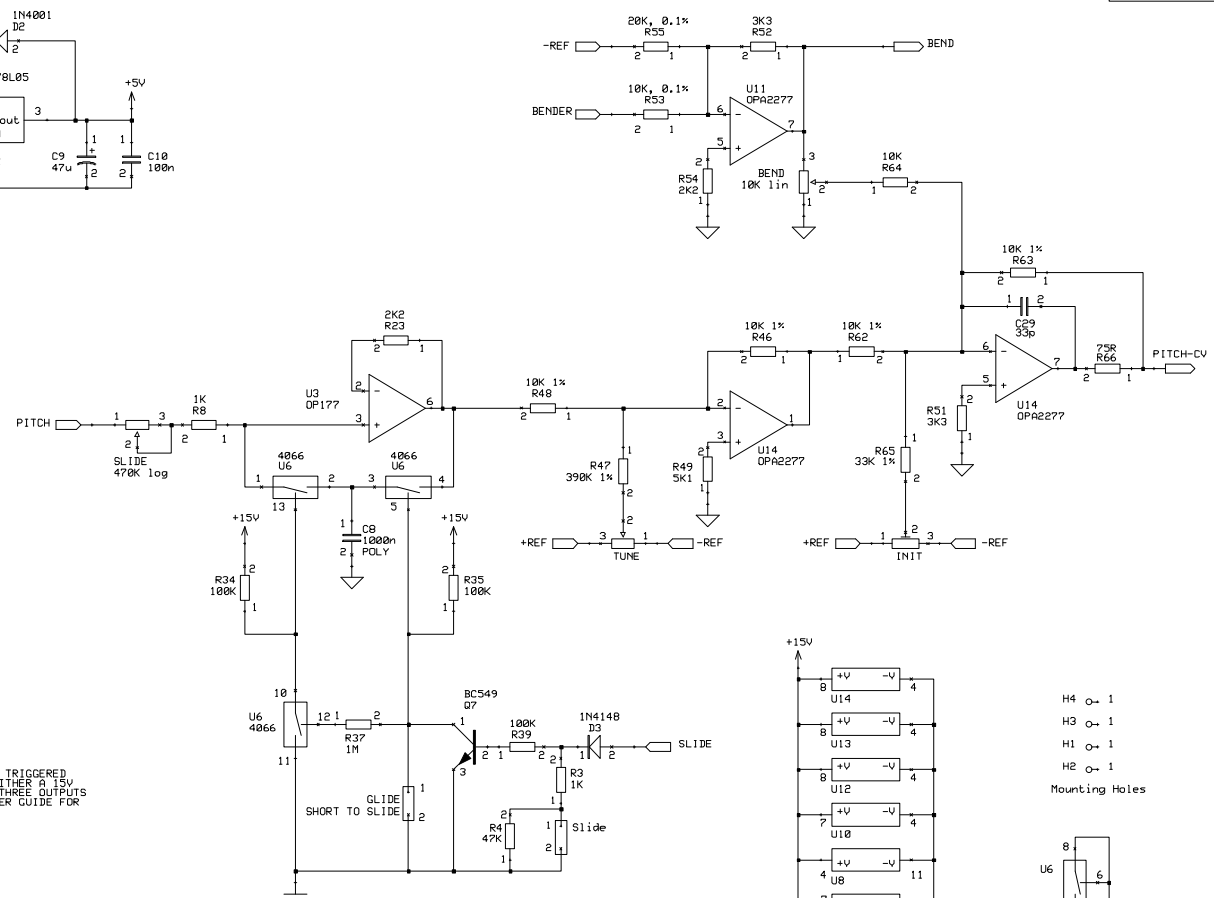


THIS DRAWING IS THE COPYRIGHT  
 OF OAKLEY SOUND SYSTEMS.  
 UNAUTHORISED DUPLICATION IS FORBIDDEN.  
 OAKLEY SOUND SYSTEMS  
 PENRITH, UK  
 e-mail: oakley@techrepairs.freemove.co.uk

midiDAC-2	
Oakley Sound Systems	
DKG ISS: 1.1	DATE: 24-6-02
BOARD ISS: 2	



THE STANDARD GATE IS 5V3 WHEN TRIGGERED. THIS CIRCUIT BLOCK MAY GIVE EITHER A 15V GATE, OR S-GATE TRIGGER. ALL THREE OUTPUTS HAVE THEIR OWN OUTPUT, SEE USER GUIDE FOR MORE DETAILS.



THIS DRAWING IS THE COPYRIGHT OF OAKLEY SOUND SYSTEMS. UNAUTHORISED DUPLICATION IS FORBIDDEN. OAKLEY SOUND SYSTEMS PENRITH, UK  
e-mail: oakley@techrepairs.freemove.co.uk

midiDAC-2	
Oakley Sound Systems	
DWG ISS: 1.1	DATE: 24-6-02
BOARD ISS: 2	